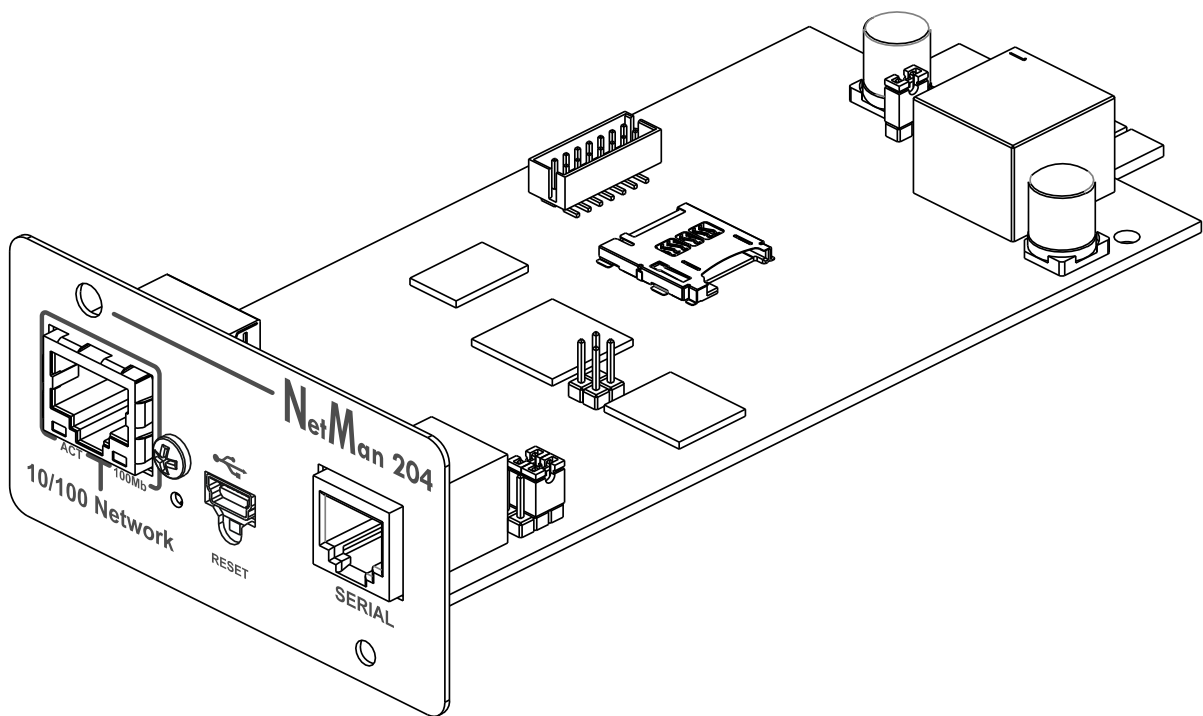


NETMAN 204

NETWORK ADAPTER



INSTALLATION AND USER MANUAL

INTRODUCTION

Thank you for choosing our product.

The accessories described in this manual are of the highest quality, carefully designed and built in order to ensure excellent performance.

This manual contains detailed instructions on how to install and use the product.

This manual must be stored in a safe place and CONSULTED BEFORE USING THE DEVICE for proper usage instructions as well as maximum performance from the device itself.

NOTE: Some images contained in this document are for informational purposes only and may not faithfully demonstrate the parts of the product they represent.

Symbols used in this manual:



Warning

Indicates important information that must not be ignored.



Information

Provides notes and useful suggestions for the User.

SAFETY

This part of the manual contains SAFETY precautions that must be followed scrupulously.

- ❖ The device has been designed for professional use and is therefore not suitable for use in the home.
- ❖ The device has been designed to operate only in closed environments. It should be installed in rooms where there are no inflammable liquids, gas or other harmful substances.
- ❖ Take care that no water or liquids and/or foreign bodies fall into the device.
- ❖ In the event of a fault and/or impaired operation of the device, do not attempt to repair it but contact the authorized service centre.
- ❖ The device must be used exclusively for the purpose for which it was designed. Any other use is to be considered improper and as such dangerous. The manufacturer declines all responsibility for damage caused by improper, wrong and unreasonable use.

ENVIRONMENTAL PROTECTION

Our company devotes abundant resources to analysing environmental aspects in the development of its products. All our products pursue the objectives defined in the environmental management system developed by the company in compliance with applicable standards.

Hazardous materials such as CFCs, HCFCs or asbestos have not been used in this product.

When evaluating packaging, the choice of material has been made favouring recyclable materials. Please separate the different material of which the packaging is made and dispose of all material in compliance with applicable standards in the country in which the product is used.

DISPOSING OF THE PRODUCT

The device contains internal material which (in case of dismantling/disposal) are considered TOXIC, such as electronic circuit boards. Treat these materials according to the laws in force, contacting qualified centres. Proper disposal contributes to respect for the environment and human health.

- © The reproduction of any part of this manual, even in part, is prohibited unless authorised by the manufacturer.
The manufacturer reserves the right to change the product described at any time without prior notice for improvement purposes.

CONTENTS

DESCRIPTION	6
OVERVIEW	6
PACKAGE CONTENTS	6
FRONT PANEL	7
Network port	7
Micro-USB port	7
Serial port	7
Led	7
Reset button	8
USERS	8
NETWORK SERVICES	9
SSH	9
Serial network	9
Wake-on-LAN	9
HTTP	9
SNMP	9
UDP	9
Modbus	10
FTP	10
Email	10
Reports	10
UPS VALUES AND EVENTS HISTORY LOG ARCHIVE	11
Eventlog	11
Datalog	11
ENVIRONMENTAL SENSORS (OPTIONAL)	12
Available sensors	12
INSTALLATION	12
CONFIGURATION	13
OVERVIEW	13
Configuration via HTTPS	13
Configuration via USB	14
Configuration via SSH	14
CONFIGURATION VIA SSH OR USB: MENU DESCRIPTION	15
Start menu	15
Setup menu	16
IP config menu	18

Time setting menu _____	19
Scheduled NTP menu _____	20
UPS config menu _____	20
Services 1 menu _____	21
SNMPv1 config menu _____	22
SNMPv1 community menu _____	22
Email config menu _____	23
Email logic menu _____	24
Miscellaneous menu _____	25
Activation 1 menu _____	26
Services 2 menu _____	26
Wake-On-LAN address menu _____	27
Wake-On-LAN delay menu _____	27
Activation 2 menu _____	28
Sensors Config menu _____	28
I/O Sensors menu _____	30
Security menu _____	31
Save and load menu _____	33
Expert mode _____	33
CONFIGURATION OF SEVERAL DEVICES _____	33
FIRMWARE UPGRADE _____	34
<i>FIRMWARE UPGRADE VIA HTTP</i> _____	34
<i>FIRMWARE UPGRADE VIA FTP</i> _____	34
SNMPV3 CONFIGURATION _____	35
MODBUS TCP/IP PROTOCOL _____	37
TECHNICAL DATA _____	41
<i>NETWORK CABLE</i> _____	41
<i>OPERATING AND STORAGE CONDITIONS</i> _____	41

DESCRIPTION

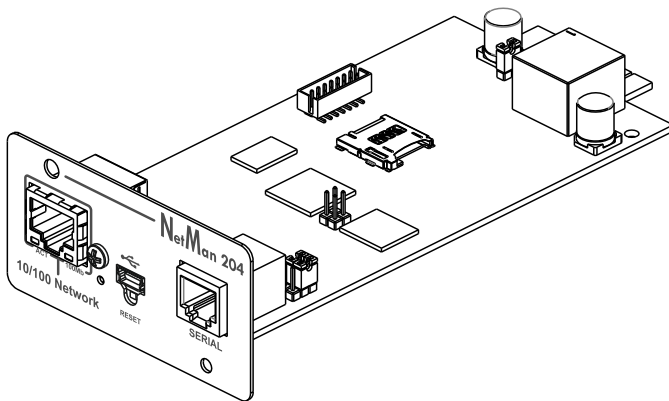
OVERVIEW

NetMan 204 is a device that allows UPS management through a LAN (Local Area Network); the accessory supports all the main network protocols (SNMP v1 and v3, TCP/IP, HTTP and so on) and is compatible with Ethernet 10/100Mbps IPv4/6 networks. The UPS can therefore be integrated easily into medium and large-sized networks.

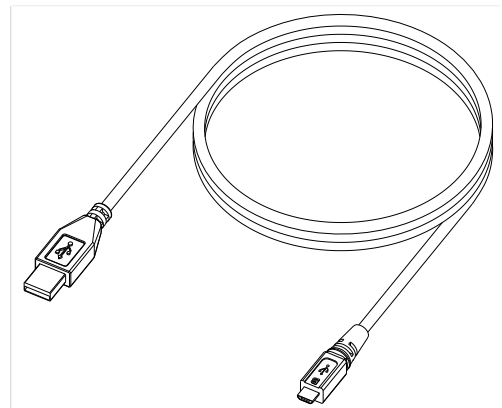
The device also records UPS values and events in the history log archive and can manage optional environmental sensors (not supplied with the device, but provided separately)

PACKAGE CONTENTS

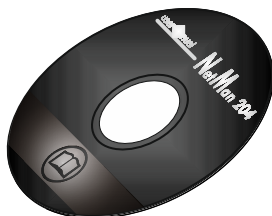
NetMan 204



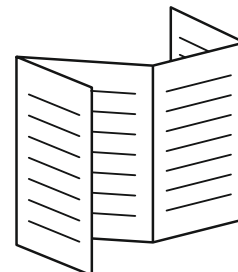
USB cable



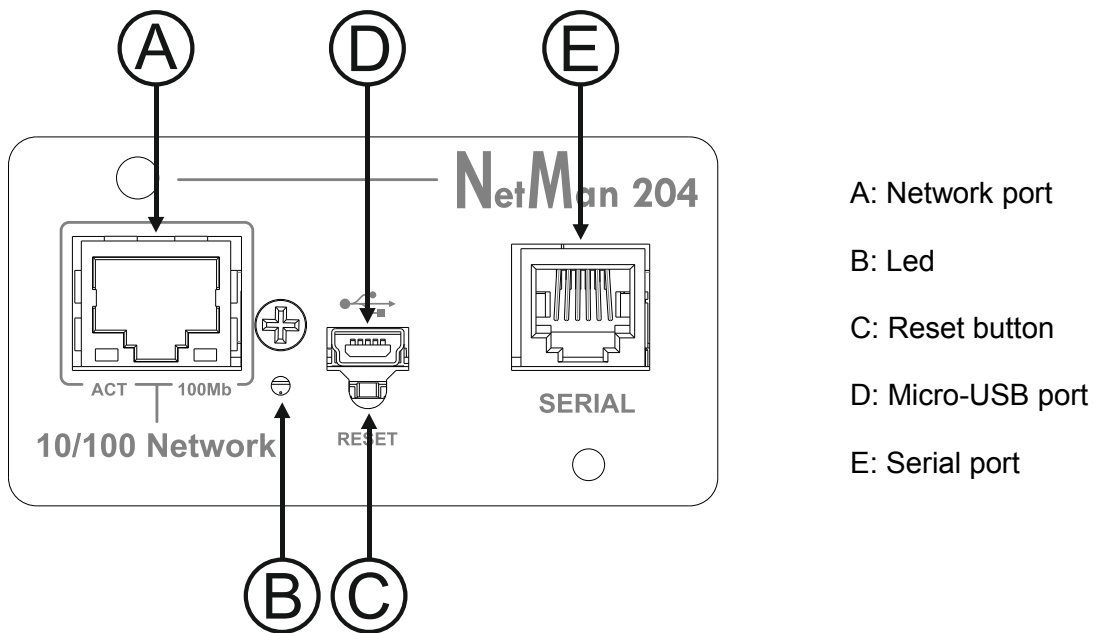
CD-Rom (User manual)



Quick start



FRONT PANEL



Network port

NetMan 204 connects to 10/100 Mbps Ethernet networks by means of connector RJ45. The LEDs built into the connector describe the status of the network:

- Left LED:
SOLID YELLOW: *NetMan204* has detected a valid link.
FLASHING YELLOW: *NetMan204* is receiving or transmitting data packets.
- Right LED
SOLID GREEN: *NetMan204* is connected to a network operating at 100 Megabits per second.

Micro-USB port

NetMan 204 makes available an USB communication port through which it is possible to configure it (see paragraph "Configuration via USB").

Serial port

NetMan 204 makes available a serial communication port to which you can connect environmental sensors (not supplied with the device, but provided separately) or a modem (not supplied with the device) for UPS teleservice.

Led

This led describes the status of *NetMan 204*:

- SOLID RED: *NetMan 204* is not communicating with the UPS (verify PRTK Code).
- FLASHING RED: the DHCP server does not have assigned a valid IP address to *NetMan 204*.
- OFF: regular working.

Reset button

The reset button allows to restart the *NetMan204* or to load a default configuration with a predefined static IP address.

To reset *NetMan204*: keep press the reset button until the red led start flashing (ca. 2 seconds) and then release it.

To load a configuration with predefined static IP address: keep press the reset button; first the led starts flashing, then turns to solid red (ca. 10 seconds). When the led is solid red, release the reset button and the *NetMan 204* will reboot with:

- IP address: 192.168.0.204
- Netmask: 255.255.0.0
- SSH service enabled
- HTTP service enabled



HTTP and SSH service are enabled temporarily without changing the configuration saved in non-volatile memory.

USERS

It is possible to access to *NetMan 204* with three different users (admin / fwupgrade / user).

Username	Default password	Privileges
admin	admin	user with right to modify the configuration
fwupgrade	fwupgrade	user with right to upgrade the firmware
user	user	user with right to read and download the log files

NETWORK SERVICES

NetMan 204 implements a series of services based on the main network protocols. These services can be activated or deactivated according to requirements (see paragraph “Configuration”). A brief description for each of these is given below.

SSH

By means of a SSH client (available on all the main operating systems) a remote connection with *NetMan 204* can be established to change its configuration (see paragraph “Configuration via SSH”).

Serial network

To emulate a point-to-point serial connection through the network (TCP/IP protocol) in order to use special function service software.

Wake-on-LAN

NetMan 204 can send “Wake-on-LAN” command for remote computers boot.

HTTP

Using the HTTP (Hyper Text Transfer Protocol), is possible to configure the *NetMan 204* and the status of the UPS can be monitored by means of a web browser without having to install additional software. All the most popular web browsers are supported.

SNMP

SNMP (Simple Network Management Protocol) is a communication protocol that allows a client (manager) to make requests to a server (agent). *NetMan 204* is an SNMP agent.

To exchange information, manager and agent use an addressing technique called MIB (Management Information Base). There is a MIB file for each agent, defining which variables can be requested and the respective access rights. The agent can also send messages (TRAP) without a prior request from the manager, to inform the latter of particularly important events. SNMPv3 is the evolution of SNMP and introduces new important features related to security. (See paragraph “SNMPv3”).

UDP

UDP (User Datagram Protocol) is a low level network protocol that guarantees speed in the exchange of data and low network congestion. It is the protocol used by the UPSMon software for monitoring and control of the UPS.

The UDP connection uses the UDP 33000 port by default but can be configured on other ports according to requirements.

Modbus

The UPS status can be monitored by means of the standard network protocol MODBUS TCP/IP. This service is always active on the TCP port 502. The supported functions are listed in section "Modbus TCP/IP protocol", together with the accessible registers.

FTP

FTP (File Transfer Protocol) is a network protocol used for file exchange. *NetMan 204* uses this protocol for:

1. download of files of the UPS values and events history log archive (Datalog and Eventlog);
2. download and upload of configuration files;
3. firmware upgrade.

In both cases a client FTP is required, configured with these parameters:

- Host: hostname or *NetMan 204* IP address;
- User: see chapter "Users";
- Password: current password.

The connection can also be established using a web browser (all the most popular web browsers are supported), by inserting the hostname or IP address of the *NetMan 204*.

Email

NetMan 204 can send a notification e-mail if one or more alarm conditions occur. The e-mails can be sent to up to three recipients and they can be sent for seven different kinds of alarm.

SMTP (Simple Mail Transfer Protocol) is the protocol used to send the e-mails. They are sent to an SMTP server on port 25. For more details, see paragraph "Configuration"

Reports

NetMan 204 can send periodic e-mails with an attachment containing the files of the UPS values and events history log archive.

This service can be used to periodically save the history log archives.

The "Email" service must be enabled in order to send reports; the reports are sent to all the addresses configured for this service (for more details see paragraph "Configuration").

UPS VALUES AND EVENTS HISTORY LOG ARCHIVE

NetMan 204 records the UPS values (Datalog) and events (Eventlog) in a history log archive. The data are saved to file in text format.

The format used to record the date and time is of the type: YY/MM/DD HH:MM:SS

Eventlog

The Eventlog service is always active and records all relevant UPS events in the 'event.log' file. The file can be downloaded via FTP or sent by e-mail using the "Email report" service. The data are saved in circular list mode, thus the most recent data are saved by overwriting the oldest data.

Datalog

The Datalog service records the main data of the UPS in the 'data.log' file. The file can be downloaded via FTP or can be sent by e-mail using the "Email report" service. The following data are monitored:

- Input voltage phase 1
- Input voltage phase 2
- Input voltage phase 3
- Input frequency
- Output voltage phase 1
- Output voltage phase 2
- Output voltage phase 3
- Load on phase 1
- Load on phase 2
- Load on phase 3

The interval of time between one recording and the next (Log frequency) can be configured by the user (see paragraph "*Miscellaneous Menu*"). The data are saved in circular list mode, thus the most recent data are saved by overwriting the oldest data. Data for up to 256 different points of time can be recorded.

ENVIRONMENTAL SENSORS (OPTIONAL)

Is possible to connect to *NetMan 204* the environmental sensors for monitoring temperature, humidity and digital input/output.

The information provided by these sensors can be showed with the UPS monitoring and control software or with a web browser (the HTTP service must be active).

The values provided by the sensors may also be requested with SNMP according to the RFC 3433 standard (MIB files in the bundled CD).

Available sensors

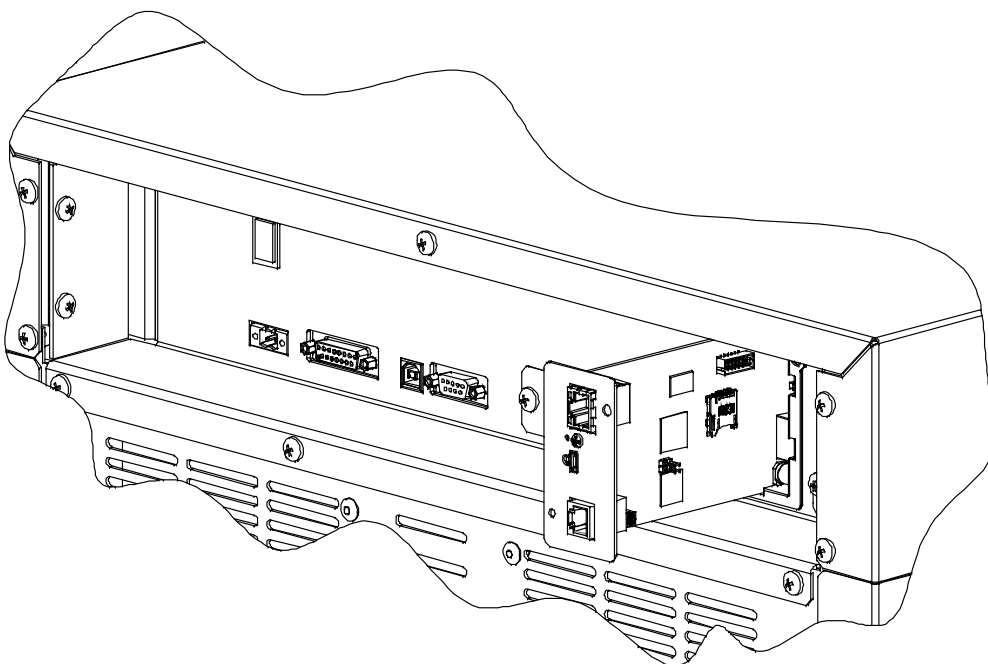
- **Temperature:** detects the environmental temperature in °C.
- **Humidity & Temperature:** detects the relative humidity in % and the environmental temperature in °C.
- **Digital I/O & Temperature:** detects the environmental temperature in °C and features a digital input and a digital output.



It is possible to connect up to 3 environmental sensor to a *NetMan 204* (for sensor installation please see the sensors' manual).

INSTALLATION

1. Remove the cover of the UPS expansion slot by removing the two retaining screws.
2. Insert *NetMan 204* in the slot.
3. Secure *Netman 204* in the slot using the two screws removed previously.
4. Connect the device to the network by means of connector RJ-45 (see "Specifications for the cabling of the network cable")



CONFIGURATION

OVERVIEW

NetMan 204 can be configured via USB, via SSH or via HTTPS.



NetMan204 comes provided as factory default with DHCP enabled and with the following services active: SSH, HTTP, SNMP, UDP and FTP.

In order to change the configuration of *NetMan 204*, you have to log in as admin (default password "admin").

NetMan 204 needs approx. 2 minutes to become operational from when it is powered up or after a reboot; before this time the device may not respond to commands that are sent to it.

Configuration via HTTPS

In order to change the configuration via https, you have to insert in your web browser the hostname or IP address of the NetMan204 and then log in as admin (default password: "admin").



The HTTP service uses TLS (transport layer security) in order to provide cryptographic security. However, the certificate used is self-signed and therefore the web browser may prompt a security alert; in this case you can ignore the alert and proceed with the configuration of NetMan204.

Once login has been effected, you can browse through the menus to configure the *NetMan 204*.



In order to make a new configuration effective, it is necessary to confirm it (OK button for each configuration page changed) and then reboot the *NetMan 204* (as required with a pop-up by your web browser).

Configuration via USB

To configure *NetMan 204* via USB it is necessary to:

- connect, with the USB cable provided, the micro-USB port with the USB port of a PC with Windows operating system;
- if not previously installed, install the USB driver present in the bundled CD (after driver installation, a virtual COM named “NetMan 204 Serial” will be present in device manager);
- execute a terminal emulation program with the following settings: 115200 baud, no parity, 8 databits, 1 stop bit, no flow control;
- press the “Enter” key of the PC;
- at the login prompt, enter “admin”;
- at the password prompt, enter the current password (default password: "admin").



During password's typing, no character is shown.

Once login has been effected, the screen of the start menu is displayed. From this screen it is possible to access the various menus to change *NetMan 204* settings (see paragraph “Start menu” and following paragraphs).

Configuration via SSH

To configure *NetMan 204* via SSH it is necessary to:

- execute a SSH client on a PC connected in a network to *NetMan 204* set with the IP address of the device to be configured;
- at the login prompt, enter “admin”;
- at the password prompt, enter the current password (default password: "admin").



During password's typing, no character is shown.

Once login has been effected, the screen of the start menu is displayed. From this screen it is possible to access the various menus to change *NetMan 204* settings (see paragraph “Start menu” and following paragraphs).

CONFIGURATION VIA SSH OR USB: MENU DESCRIPTION



In order to make a new configuration effective, it is necessary to save it in the flash memory; this action automatically reboots the *NetMan 204* (refer to “Menu Save and load”).

Start menu

Once login has been effected via SSH or USB, a screen like the following is displayed:

```
-----
Netman 204
-----

Setup.....:<--
View status....:
Change password:
Service log....:
Expert mode....:

Press [ESC] for logout
SysVer. 1.0 - AppVer. 01.00.000
```

Function	Description
Setup	To enter main configuration menu
View status	To see the status of the device
Change password	To modify the password
Service log	To generate a log file of the card (when requested by the service)
Expert mode	To enter Expert mode (more information at paragraph “ <i>Expert mode</i> ”)

To move within this menu and the following menus, use the keys as described in the following table; the arrow or the cursor shows the current selection.

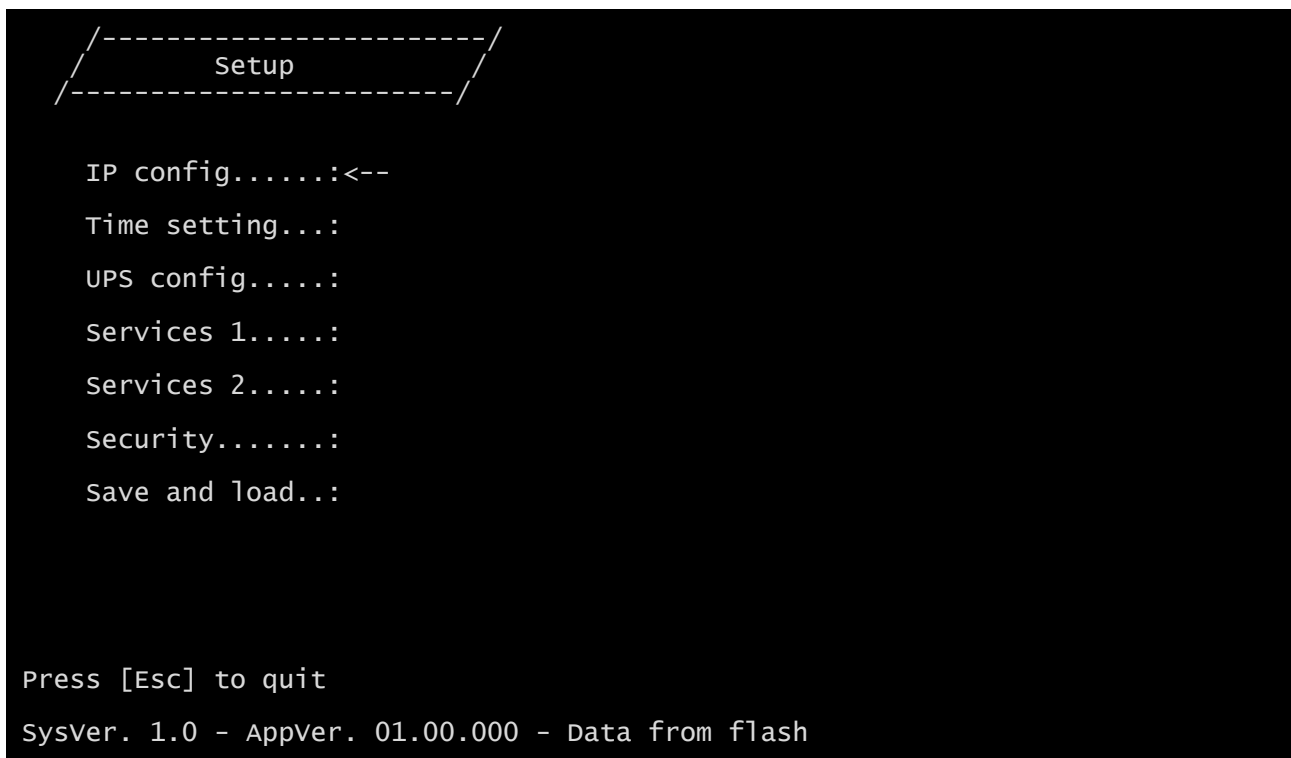
Key	Function
Direction keys (Arrow up, down, right, left)	To move the cursor within the menus
Tab	Goes on to next option
Enter ⁽¹⁾	Choice of submenu
	Confirmation of characters entered
Esc ⁽¹⁾	Exit main menu ⁽²⁾
	Return to previous menu

⁽¹⁾ Some keys can have a different function depending on the menu.

⁽²⁾ To exit from a menu a confirmation ('Y' or 'N') is required after pressing the ESC key.

Setup menu

The main configuration menu displays a screen like the following:



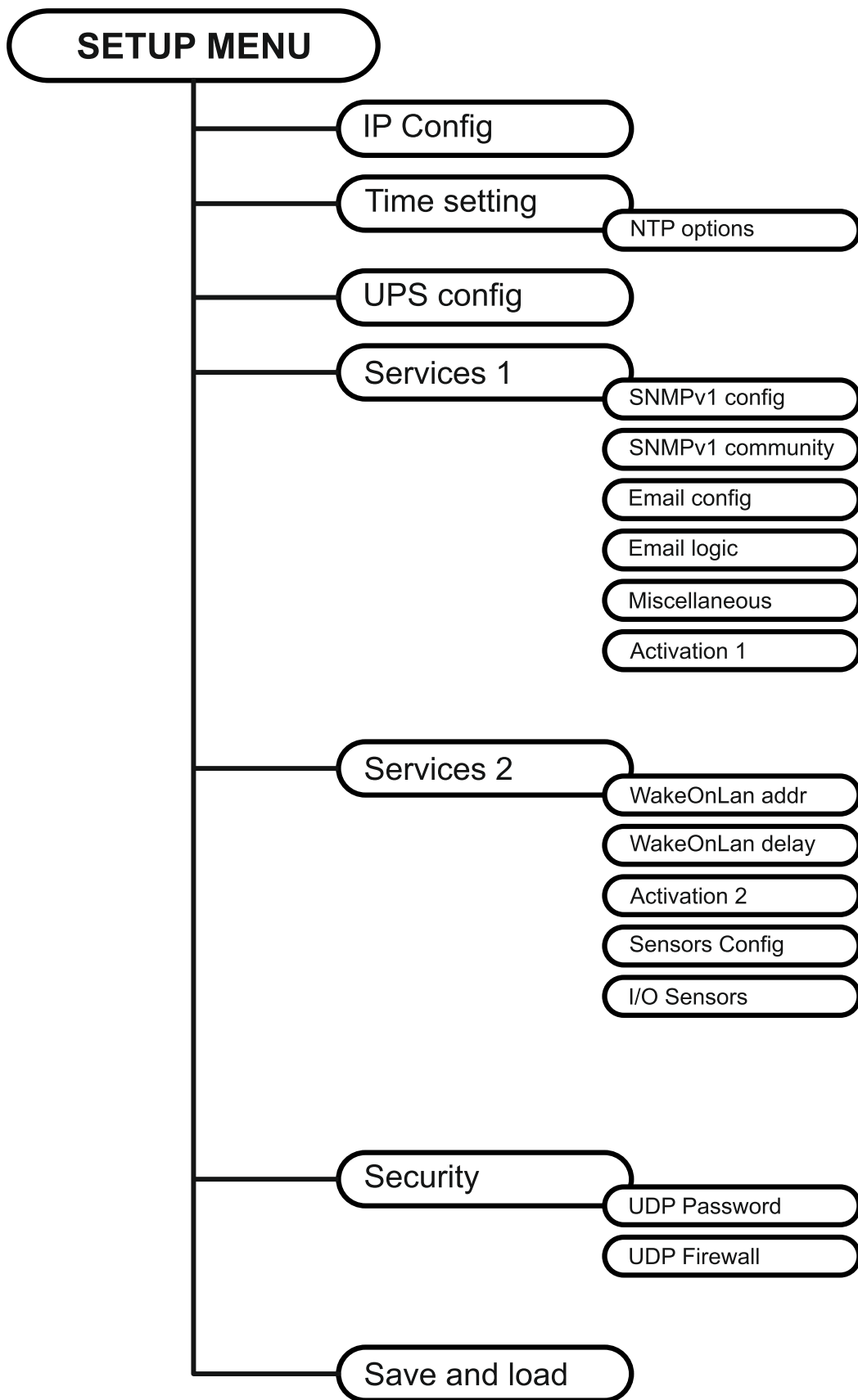
From this main menu it is possible to access the various submenus, the function of each of which is shown in the table below.

Menu	Function
IP config	To configure the network parameters
Time setting	To configure the internal clock
UPS config	To configure the type of UPS connected
Services 1	To activate and/or deactivate device services
Services 2	
Security	To configure the password and access to the network
Save and load	To save a configuration: this action will reboot automatically the device.

The screen also displays some messages describing the kind of configuration data displayed and the status of the UPS. The meaning of these messages is described below.

- Data from flash: means that the configuration has been loaded from the flash memory
- Default data: means that the configuration has been reset to the default values

Here is a graphical representation of the setup menu and submenus:



IP config menu

```

  /-----/
 /         \
/           \
 \         /
  \-----/
    IP config

Hostname.....:ups_server

IP address/DHCP:DHCP

Netmask.....:

Gateway.....:

Primary DNS...:

Secondary DNS..:

Mailhost.....:

```

With this menu the main network parameters can be set as described in the following table.

Field	Parameters to be inserted
Hostname	Enter the <i>NetMan 204</i> host name
IP address/DHCP	Enter the IP address for a static IP; enter "DHCP" for a dynamic IP
Netmask	Enter the netmask to be used together with the static IP address
Gateway	Enter the name or the address of the network gateway
Primary DNS	Enter the name or the address of the preferred DNS to be used
Secondary DNS	Enter the name or the address of the alternative DNS to be used
Mailhost	Enter the name or the address of the SMTP server to be used to send e-mails. ⁽¹⁾

⁽¹⁾ Ensure that the SMTP server accepts connections on port 25.



If a static IP address is assigned to the device, all the fields must be configured with the network parameters. If a dynamic IP address is assigned, just enter 'dhcp' in the "IP Address/DHCP" field and provide a hostname; all the other options should be ignored because these are automatically configured with DHCP

After pressing "ESC" and "Y" to confirm exit from the menu, a screen similar to the image below is displayed. Press the "ENTER" key to return to the main menu. The configuration must however be saved to make it effective after restart of the device (see "Save and load" menu).

```

eth0      Link encap:Ethernet  HWaddr 00:02:63:04:07:b1
          inet addr:10.1.11.19  Bcast:10.1.255.255  Mask:255.255.0.0
          inet6 addr: fe80::202:63ff:fe04:7b1/64  Scope:Link
          UP BROADCAST RUNNING MULTICAST  MTU:1500  Metric:1
          RX packets:145877 errors:0 dropped:0 overruns:0 frame:1
          TX packets:4899 errors:0 dropped:0 overruns:0 carrier:0
          collisions:0 txqueuelen:1000
          RX bytes:12740380 (12.1 MiB)  TX bytes:2115614 (2.0 MiB)

NOTE: The new settings will become effective on next reboot.

```

Time setting menu

```
Time setting

Set time.....:<--
Set timezone...:
Sync with NTP..:
Scheduled NTP..:
```

From this menu the time and date of the device can be set as described in the following table.

Command	Description
Set time	To configure the time and date manually
Set timezone	To configure the time zone
Sync with NTP	To synchronize the clock with an NTP server
Scheduled NTP	To configure the scheduled NTP

Pressing the “ENTER” key corresponding to the “Set time” command displays a screen like the one shown below.

```
Current date is Wed Jan 01 07:45:50 GMT 2014

Insert new date and clock time in this form:
MMDDYYYYHHMMSS
06152014080100

Current date is Sun Jun 15 08:01:00 GMT 2014
```

Enter the date and time in the format shown, then press the ENTER key and then “ESC” to exit.

Pressing the “ENTER” key corresponding to the “Set timezone” command displays a screen where is possible to modify the time zone.

Pressing the “ENTER” key corresponding to the “Sync with NTP” command displays a screen like the one shown below.

```
Current date is Thu Jun 16 14:17:06 ECT 2005

Insert IP Address or host name of the NTP server to synchronize time:
```

Enter the name or the address of the NTP server with which the device is to be synchronized. In this case the time has to be within the GMT time zone, thus it may be necessary to correct the current time zone with the “Set timezone” command.

Scheduled NTP menu

```

-----
/-----\
Scheduled NTP
-----

NTP server.....:time_server

Sync only at...:13   hour (0 - 23)

Sync only at...:*   day of week (0 - 6) (Sunday=0 or 7) OR sun,mon,tue ...

Sync only at...:1   day of month (1 - 31)

Insert * where the value is not needed.

```

With this menu is possible to schedule the NTP synchronization. Is possible to specify the time and frequency for performing a synchronization. For each field is possible to enter the precise condition or leaving '*' which means always. On the example above, synchronization will be performed every 1st day of month at 13:00, regardless of the day of week.

Field	Parameters to be inserted
NTP server	Enter the name or address of the NTP server
Sync only at (h)	Enter the hour when the synchronization should occur, or '*'
Sync only at (w)	Enter the day of week when the synchronization should occur, or '*'
Sync only at (m)	Enter the day of month when the synchronization should occur, or '*'

UPS config menu

```

-----
/-----\
UPS config
-----

PRTK Code.....:GPSER11201XX

Name.....:ups3

UPS Address....:1

Serial number..:324321

```

With this menu the UPS parameters must be set as described in the following table, for the UPS to be able to communicate correctly with the device.

Field	Parameters to be inserted
PRTK Code	Enter the PRTK code indicated at the back of the UPS ⁽¹⁾
Name	Enter the identifying name of the UPS
UPS Address	Insert 1
Serial number	Enter the UPS identification code

⁽¹⁾ The PRTK code is formed of 12 alphanumeric characters.

Services 1 menu

```
Services 1

SNMPV1 config..: <--
SNMPV1 communit:
Email config...:
Email logic....:
Miscellaneous..:
Activation 1...:
```

With this menu the configuration screens of the various services can be accessed as described in the following table.

Menu	Function
SNMPV1 config	To configure the SNMP service
SNMPV1 community	
Email config	To configure the e-mail service
Email logic	
Miscellaneous	To configure the other options
Activation 1	To configure the services to be activated



As well as being configured, the services must also be activated to function correctly (see paragraph “*Activation* menu”). It is recommended to activate only the services used.

SNMPv1 config menu

```
SNMPV1 config

Trap receiver 1:powernetguard
Trap receiver 2:192.168.5.96
Trap receiver 3:
Trap receiver 4:
Trap receiver 5:
Trap receiver 6:
Trap receiver 7:
```

With this menu the IP addresses to which traps are sent can be configured. Traps are SNMP messages that are sent to an SNMP manager for alarm notification. Traps can be sent to seven different hosts.

SNMPv1 community menu

```
SNMPV1 community

Get community.:public
Set community.:private
Trap community.:public
```

With this menu the protection password of the SNMP messages (SNMP Communities) can be configured as described in the following table.

Field	Parameters to be inserted
Get community	Enter the community for read access
Set community	Enter the community for write access
Trap community	Enter the community for traps

Email config menu

```

Email config

Email address 1:myself@mycompany.com
Email address 2:service@service.com
Email address 3:anotheremail@mycompany.com
Sender address.:NetMan_204
Customer.....:MyCustomer
Report interval:01-05:10                      DD-HH:MM
User name.....:User 1
Password.....:Password

```

This menu may be used to configure the addresses to which to send the alarm notification and report e-mails and other parameters of the e-mail service as described in the following table.

Field	Parameters to be inserted
Email address 1	Enter the e-mail addresses to which to send the alarm notifications and reports (see note).
Email address 2	
Email address 3	
Sender address	Enter the address from which the e-mails are sent. ⁽¹⁾
Customer	Enter an identifying string; this additional information is included in the e-mail.
Report interval	Enter the delay, measured in days, between the sending of one report e-mail and the next by using exactly 2 figures, followed by a line, an finally by the hour and minutes on which the email should be sent.
User name	If the server requires authentication, insert the "User name".
Password	If the server requires authentication, insert the password.

⁽¹⁾ do not use the "space" character in this field

After inserting the data and pressing the "ESC" key to exit from the menu, the service can be tested by pressing the "T" key. If the test is performed, a "@" is displayed and a test email is sent to all the configured email addresses. After this the previous menu is shown.



Report e-mails are sent to all the addresses inserted; for alarm notification e-mails see paragraph "Email logic menu".

Email logic menu

Email Logic				
	Email 1	Email 2	Email 3	Logic:
UPS Lock.....:	X<--	0	0	And
Ovrload/Ovrtemp:	X	0	0	And
UPS Failure....:	X	0	0	And
On bypass.....:	X	0	0	And
AC Fail.....:	X	0	0	And
Battery low....:	X	0	0	And
Communic lost..:	X	0	0	And

With this menu it can be established to which addresses the e-mails will be sent when certain events occurs. One or more addresses can be associated with each event and in the latter case, when the event occurs, notification e-mails will be sent to all the addresses associated with it.



Use the ENTER key to change the selected configuration ("X" or "0").

- X: when the event occurs, *NetMan 204* sends a notification e-mail to the corresponding addresses (see "*Email logic menu*" to set the addresses);
- 0: when the event occurs, *NetMan 204* does not send a notification e-mail to the corresponding addresses;

The following table describes the meaning of the events. These can vary depending on the UPS connected.

Event	Meaning
UPS Lock	UPS is locked
Ovrload/Ovrtemp	UPS in overload or in overtemperature
UPS Failure	Failure of the UPS
On bypass	Operation from bypass
AC Fail	Operation from battery
Battery low	Battery low
Communic lost	Communication between the UPS and the device has been interrupted
SENTR level 2	Presence of an internal UPS failure (this condition emulates the level of modem alarm for UPSs of the SENTR type)
SENTR level 3	Presence of a failure in the UPS, excluding those envisaged in the previous point (this condition emulates the level of modem alarm for UPSs of the SENTR type)

Miscellaneous menu

```

  /-----/
  /  Miscellaneous  /
  /-----/

Log frequency..:5      sec
UDP Port.....:33000
sysContact.....:Administrator
sysName.....:My Server
sysLocation...:new building

```

With this menu further device parameters can be configured as described in the following table.

Field	Parameters to be inserted
Log frequency	Enter the delay, measured in seconds, between one data log and the next (see paragraph "Datalog")
UDP Port	Enter the port where the UDP service is started ⁽¹⁾
sysContact	Enter the string to be associated with these SNMP variables
sysName	
sysLocation	

⁽¹⁾ This port must be the same as configured in the UPSMon software

Activation 1 menu

```

Activation 1

Enable SSH.....:[ON/off]<--
Enable HTTP.....:[ON/off]
Enable SNMP.....:[ON/off]
Enable UDP.....:[ON/off]

Enable FTP.....:[ON/off]
Enable DataLog.: [ON/off]
Enable Email....:[on/OFF]
Enable Report...:[on/OFF]
  
```

With this menu the services implemented in *NetMan 204* can be activated or deactivated:



Use the ENTER key to change the selected configuration (“ON” or “OFF”).

- ON (green characters): service active
- OFF (red characters): service not active

It is recommended to activate only the services used.

Services 2 menu

```

Services 2

WakeOnLan addr.:<--
WakeOnLan delay:
Activation.2...:
Sensors config :
I/O Sensors....:
Threshold sens.:
  
```

With this menu the configuration screens of the various services can be accessed as described in the following table.

Menù	Funzione
WakeOnLan addr.	To configure the Wake-on-LAN service
WakeOnLan delay	
Activation 2	To configure the services to be activated
Sensors. config	To configure the environmental sensors
I/O Sensors	
Threshold sens	



As well as being configured, the services must also be activated to function correctly (see paragraph “*Activation 2 menu*”). It is recommended to activate only the services used.

Wake-On-LAN address menu

```
Wake-on-LAN address

MAC Address 1..:00-12-3F-2B-F6-6F
MAC Address 2..:aa-bb-cc-dd-ee-ff
MAC Address 3..:00-00-00-00-00-00
MAC Address 4..:
MAC Address 5..:
MAC Address 6..:
MAC Address 7..:
MAC Address 8..:
```

With this menu is possible to insert up to 8 MAC address to execute Wake-on-LAN.



Please make sure that your PC supports this function, and that it is correctly configured.

Wake-On-LAN delay menu

```
Wake-on-LAN delay

Address 1 delay:2 sec.
Address 2 delay:40 sec.
Address 3 delay:2 sec.
Address 4 delay: sec.
Address 5 delay: sec.
Address 6 delay: sec.
Address 7 delay: sec.
Address 8 delay: sec.
```

With this menu is possible to insert the delay times for each Wake-on-LAN.

Activation 2 menu

```
-----
/-----
Activation 2
-----
Enable Serial N: [ON/off] <--
Enable Sensors.: [ON/off]
Enable WOL      : [on/OFF]
```

With this menu the services implemented in *NetMan 204* can be activated or deactivated:



Use the ENTER key to change the selected configuration (“ON” or “OFF”).

- ON (green characters): service active
- OFF (red characters): service not active

It is recommended to activate only the services used.

Sensors Config menu



To enter on the “Sensors config” menu is necessary to enable the “Sensors” service (Activation 2 menu) and to save the configuration (Save and load menu).

```
Sensor list

Press [C] to change sensors, [E] to exit
```

Enter on the “Config sensor” menu, connect the first sensor and press “C”. After some instants the device will be recognized and the device will be given an identifier number [1]. Connect the next sensor, if present, and press “N”. After some instants the device will be recognized and the device will be given an identifier number [2]. Repeat the procedure for all the sensors and when the configuration is finalized press “Y”.

```
Sensor list
1) Temperature [F100000013BE0628]
2) Humidity & Temperature [4D00000083FF3326]
3) Digital I/O & Temperature [BB0000003BA2FF12] [510000009A154228]

Press [Y] to confirm, [N] to insert a new sensor
```



For proper working of the devices, it is necessary to add just one device for each iteration and wait that it is recognized by *NetMan 204*.

Example: how to connect a *Temperature* sensor, a *Humidity & Temperature* sensor and a *Digital I/O & Temperature* sensor in exactly this order.

```
Sensor list

Press [C] to change sensors, [E] to exit
```

Connect the first sensor (*Temperature*), and press “C”.

```
Sensor list
1) Temperature [F100000013BE0628]

Press [Y] to confirm, [N] to insert a new sensor
```

Wait until the first sensor is identified and then connect the second sensor (*Humidity & Temperature*), and press “N”.

```
Sensor list
1) Temperature [F100000013BE0628]
2) Humidity & Temperature [4D00000083FF3326]

Press [Y] to confirm, [N] to insert a new sensor
```

Wait until the second sensor is identified and then connect the third sensor (*Digital I/O & Temperature*), and press “N”.

```
Sensor list
1) Temperature [F100000013BE0628]
2) Humidity & Temperature [4D00000083FF3326]
3) Digital I/O & Temperature [BB0000003BA2FF12] [510000009A154228]

Press [Y] to confirm, [N] to insert a new sensor
```

Press “Y” to confirm.

I/O Sensors menu

```

      /-----/
     /         \
    /           \
   /             \
  /               \
 /                 \
/                   \
Output
-----

                Output
UPS Lock.....:  -<--
Ovrload/Ovrtemp:  -
UPS Failure....:  -
On bypass.....:  -
AC Fail.....:    3
Battery low....:  -
Communic lost..:  -
Input sensor...:  -NC

Press [Esc] to quit
  
```

With this menu is possible to associate a digital output of the installed sensors to one or more events of the UPS. The output will be closed when the associated event happens.



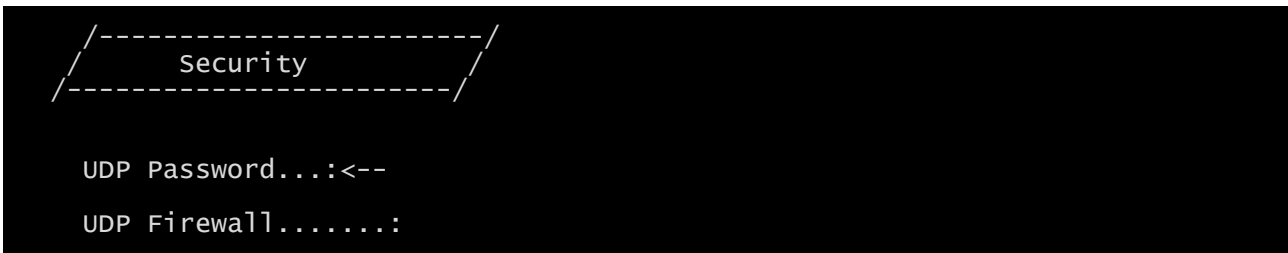
Press ENTER to select the output.

The identification number is the same which is associated to the sensor during installation.

The following table describes the meaning of the events. These can vary depending on the UPS connected.

Event	Description
UPS Lock	UPS is locked
Ovrload/Ovrtemp	UPS in overload or in overtemperature
UPS Failure	Failure of the UPS
On bypass	Operation from bypass
AC Fail	Operation from battery
Battery low	Battery low
Communic lost	Communication between the UPS and the device has been interrupted
Input Sensor	<p>The state of the input (open/closed) is reported to the output of the selected sensor. The digital input monitored is that with the lowest identification number (the first that was detected during configuration). It is also possible to select the logic state of the input:</p> <ul style="list-style-type: none"> • NC: Normally Closed • NO: Normally Open

Security menu



From this menu the setup password, the UDP password and the firewall can be configured as described in the following table.

Menu	Function
UDP Password	To change the password used for UDP/UPSMon communication ⁽²⁾
UDP Firewall	To configure access from the network

⁽¹⁾ default configuration: "password"

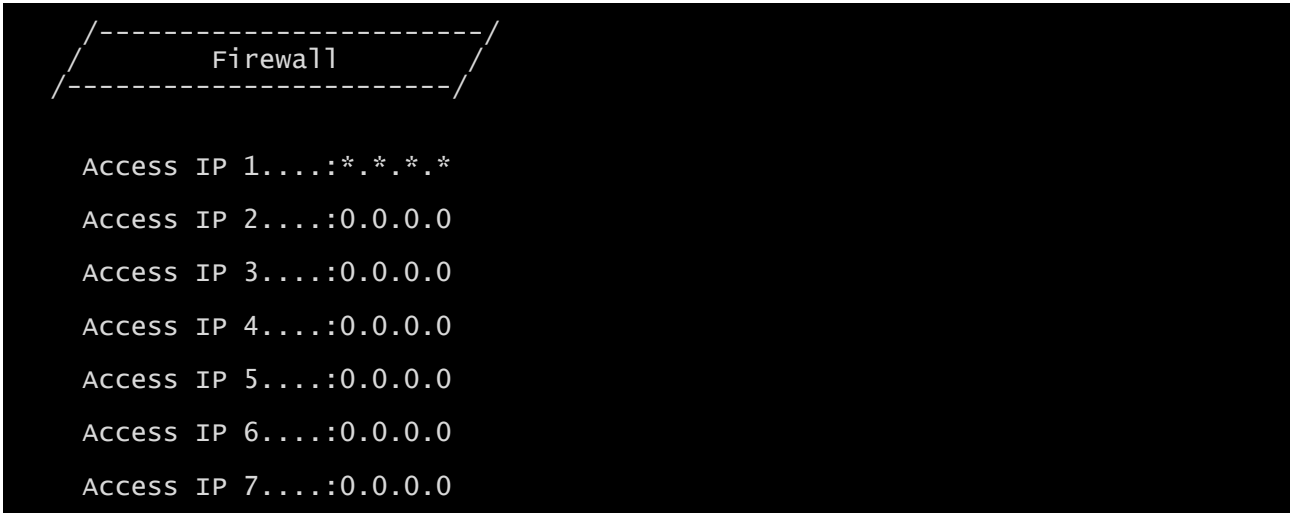
⁽²⁾ this password must be the same as the one used by the UPSMon software

Pressing the ENTER key corresponding to the "UDP Password" command displays a screen like the one shown below.



Enter, as requested, the new password.

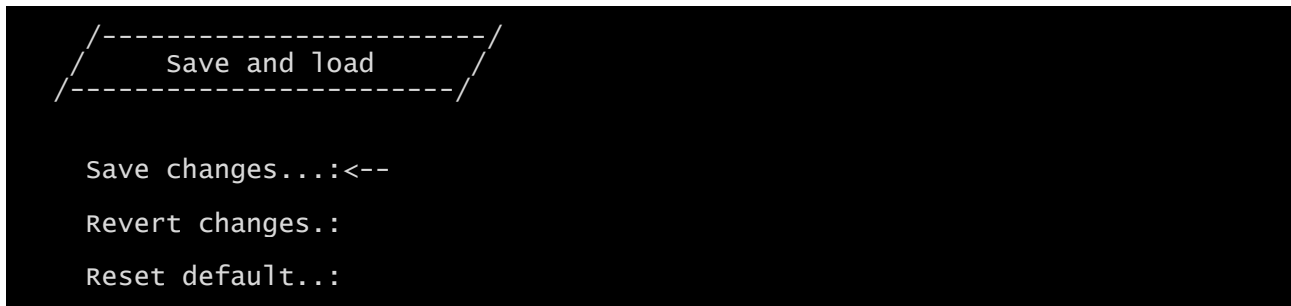
Pressing the ENTER key corresponding to the “Firewall” command displays a screen like the one shown below.



With this menu the IP addresses or hostnames of the devices enabled for communication with *NetMan 204* can be configured. The character “*” can be used for one or more fields of the IP address to indicate that all values between 0 and 255 are accepted in that field. The following table provides some possible configuration examples.

IP Access	Description
..*.*	All the devices present on the network are enabled to communicate with <i>NetMan 204</i> (default configuration)
10.1.10.*	The devices with addresses between 10.1.10.0 and 10.1.10.255 are enabled to communicate with <i>NetMan 204</i>
myserver.mydomain	Hostname of the device enabled to communicate with <i>NetMan 204</i>

Save and load menu



With this menu the configuration can be saved to make it effective or to load other configurations as described in the following table.

Function	Description
Save changes	Saves the configuration in flash memory and then automatically restarts to make the changes effective
Revert changes	Cancels the changes and reloads the last saved configuration (excluding the the clock -Time setting- configurations)
Reset default	Loads the default configuration

⁽¹⁾ see paragraph “Configuration of several devices”

Expert mode

Expert mode enables the configuration of advanced parameters that should be set by skilled technicians. These commands are supported:

help	prints the help
get	shows all values
set <VAR> <VALUE>	set VAR to VALUE
sendtrap <TRAPCODE>	send a test SNMP trap
reboot	reboot the <i>NetMan 204</i>
factoryreset	restore factory configuration
erasefram	erase the FRAM module
exit	closes the connection

CONFIGURATION OF SEVERAL DEVICES

If several *NetMan 204* have to be configured with similar parameters, you can configure the first *NetMan 204*, then connect via FTP with the admin user, download all the configuration files in the folder /cfg, and upload all them via FTP in the folder /cfg of all devices to be configured.

FIRMWARE UPGRADE

The *NetMan 204* firmware can be updated via HTTP or via FTP.

FIRMWARE UPGRADE VIA HTTP

Connect via HTTP to the *NetMan 204* to be upgraded inserting in your web browser the hostname or IP address and then log in as fwupgrade (default password: "fwupgrade"). Select the file to upload and then press the UPLOAD button. When the upgrade file is uploaded, the *NetMan 204* will reboot automatically.

FIRMWARE UPGRADE VIA FTP

Connect via FTP with the user "fwupgrade" (default password "fwupgrade") and copy the updated firmware. Then restart the card by pressing the reset button

SNMPV3 CONFIGURATION

For configuring SNMPv3 access, it is necessary to edit snmp.conf. This file can be downloaded and uploaded with FTP with user "admin" (default password: "admin").

If this file is not present, SNMPv1 will be used.

Each line of the file is parsed by *NetMan 204* and must begin with one of these keywords:

- *#*: for comment, the line is skipped.
- *addUser*: for adding a new user and setting the passwords
- *addGroup*: for putting a user into a group
- *addAccessEntry*: for enabling access privileges to a group
- *addView*: for adding privileges
- *addManager*: for adding SNMP Manager which will receive SNMP traps.

The correct syntax for *addUser* is:

```
addUser <userName> <authProtocol> <privProtocol> <authPassword> <privPassword>
```

<userName> is the name of the user.

<authProtocol> is the protocol for authentication of this user during SNMP sessions. Possible values are:

- *noauth* (no authentication will be used)
- *md5* (MD5 will be used for authentication)
- *sha* (SHA will be used for authentication)

<privProtocol> is the protocol for privacy of this user during SNMP sessions. Possible values are:

- *nopriv* (no privacy will be used)
- *des* (DES will be used for privacy)

<authPassword> is the password for authentication. It must be set to * when not used.

<privPassword> is the password for privacy. It must be set to * when not used.

The correct syntax for *addGroup* is:

```
addGroup <securityModel> <userName> <groupName>
```

<securityModel> is the security model. When using authentication and/or privacy, securityModel must be USM. Possible values are:

- *USM* (User-based Security Model with SNMPv3)
- *v2* (SNMPv2)
- *v1* (SNMPv1)

<userName> is the name of the user, must match one of the user name defined with *addUser*.

<groupName> is the name of the group.

Please note that a userName can be assigned to only one group.

The correct syntax for *addAccessEntry* is:

```
addAccessEntry <groupName> <contextName> <securityModel> <securityType> <contextMatch>  
<readView> <writeView> <notifyView>
```

<groupName> is the name of the group to which this access right applies, must match one of the group name defined with *addGroup*.

<contextName> is the name of the context.

<securityModel> is the security model that must be used in order to gain access to this access right, must match the security model defined with *addGroup*.

<securityType> is the minimum security level that must be used to gain access to this access right. Possible values are:

- *noauthnopriv* (no authentication and no privacy)
- *authnopriv* (authentication but no privacy)
- *authpriv* (authentication and privacy)

<contextMatch> the type of match required. Possible values are:

- *exact* (the context name must exactly match the value in contextName)
- *prefix* (the context name must match the first few starting characters of the value in contextName)

<readView> the authorized MIB view name used for read access, must match one of the view name.

<writeView> the authorized MIB view name used for write access, must match one of the view name.

<notifyView> the authorized MIB view name used for notify access, must match one of the view name.

The correct syntax for addView is:

addView <viewName> <subtree> <mask> <included>

<viewName> is the name of the view.

<subtree> is the OID subtree which when combined with the corresponding instance of MASK defines a family of view subtrees.

<mask> the mask for filtering OID.

<included> the OID can be included or excluded. Possible values are:

- *included* (for including)
- *excluded* (for excluding)

The correct syntax for addManager is:

addManager <security> <ipAddress> <credentials> <securityType>

<security> is the security type for the notification. Possible values are:

- *USM* (User-based Security Model with SNMPv3)
- *V2* (SNMPv2)
- *v1* (SNMPv1)

<ipAddress> is the IP address of the SNMP manager.

<credentials> is either the user name (when using USM security) or the trap community (when using v1 security)

<securityType> is either:

- *noauthnopriv* (for SNMPv1 and SNMPv2)
- *authpriv* (for SNMPv3)

addManager do not allow duplicate entries (one ipAddress can receive only one trap).

A sample snmp.conf is provided; the default users authorized are:

Name	Auth protocol	Priv protocol	Auth password	Priv password
unsecureUser	Noauth	nopriv		
MD5	md5	nopriv	MD5UserAuthPassword	
SHA	Sha	nopriv	SHAUserAuthPassword	
MD5DES	md5	des	MD5DESUserAuthPassword	MD5DESUserPrivPassword
SHADES	Sha	des	SHADESUserAuthPassword	SHADESUserPrivPassword

The SNMP agent will send SNMPv3 trap to address 10.2.10.1.

MODBUS TCP/IP PROTOCOL

This service is always active on the TCP port 502. The supported function are listed below, together with the accessible registers.

SUPPORTED FUNCTION

SUPPORTED FUNCTION	FUNCTION DESCRIPTION	ACCESSIBLE DATA AREA
1 (0x01)	BIT READING	STATES
2 (0x02)		STATES
3 (0x03)	REGISTERS READING	ALL
4 (0x04)		ALL
6 (0x06)	SINGLE REGISTER WRITING	COMMANDS
16 (0x10)	MULTIPLE REGISTER WRITING	COMMANDS

UPS: TABLES OF STATES, MEASUREMENTS, NOMINAL DATA AND COMMANDS

REGISTER ⁽¹⁾		UPS - STATES	BIT ⁽²⁾	
NUMBER	ADDRESS		NUMBER	ADDRESS
1	0		1	0
		Test in progress [0=No / 1=YES]	2	1
			3	2
		Shutdown active [0=No / 1= YES]	4	3
			5	4
		Battery charged [0=No / 1= YES]	6	5
		Battery charging [0=No / 1= YES]	7	6
		Bypass bad [0=No / 1= YES]	8	7
			9	8
		Normal operation [0=No / 1= YES]	10	9
			11	10
		On bypass [0=No / 1= YES]	12	11
		Battery low [0=No / 1= YES]	13	12
		Battery working [0=No / 1= YES]	14	13
		UPS locked [0=No / 1= YES]	15	14
		Output powered [0=No / 1= YES]	16	15
		17÷28	16÷27	
2	1	Input Mains present [0=No / 1= YES]	29	28
		Alarm temperature [0=No / 1= YES]	30	29
		Alarm overload [0=No / 1= YES]	31	30
		UPS failure [0=No / 1= YES]	32	31
3	2		33÷48	32÷47
4	3		49÷63	48÷62
		Communication lost with UPS [0=No / 1= YES]	64	63
5÷8	4÷7		65÷128	64÷127

⁽¹⁾ The register number *n* must be addressed *n-1* in the data packet

⁽²⁾ The bit number *n* must be addressed *n-1* in the data packet.

REGISTER ⁽¹⁾		UPS - MEASUREMENTS	UNIT
NUMBER	ADDRESS		
9÷11	8÷10		
12	11	Input mains star voltage V1	V
13	12	Input mains star voltage V2	V
14	13	Input mains star voltage V3	V
15	14	Input current phase L1	0.1*A
16	15	Input current phase L2	0.1*A
17	16	Input current phase L3	0.1*A
18	17	Input frequency	0.1*Hz
19÷21	18÷20		
22	21	Bypass mains star voltage V1	V
23	22	Bypass mains star voltage V2	V
24	23	Bypass mains star voltage V3	V
25	24	Bypass frequency	0.1*Hz
26	25	Output star voltage V1	V
27	26	Output star voltage V2	V
28	27	Output star voltage V3	V
29÷31	28÷30		
32	31	Output current phase L1	0.1*A
33	32	Output current phase L2	0.1*A
34	33	Output current phase L3	0.1*A
35	34	Output peak current phase L1	0.1*A
36	35	Output peak current phase L2	0.1*A
37	36	Output peak current phase L3	0.1*A
38	37	Load phase L1	%
39	38	Load phase L2	%
40	39	Load phase L3	%
41	40	Output active power phase L1	0.1 kW
42	41	Output active power phase L2	0.1 kW
43	42	Output active power phase L3	0.1 kW
44	43	Output frequency	0.1*Hz
45÷47	44÷46		
48	47	Battery voltage	0.1*V
49	48	Positive battery voltage	0.1*V
50	49	Negative battery voltage	0.1*V
51	50	Battery current	0.1*A
52	51	Remaining Battery Capacity	%
53	52		
54	53	Remaining back-up time	Minutes
55÷58	54÷57		
59	58	Total output energy (32 bit)	Least Significant Register
60	59		Most Significant Register
61	60		
62	61	Internal UPS temperature	°C
63	62	Sensor 1 temperature	°C
64	63	Sensor 2 temperature	°C
65÷72	64÷71		

⁽¹⁾ The register number *n* must be addressed *n-1* in the data packet.



Some measures may not be available for all the UPS. In this case, the relative register remains at 0xFFFF value.

REGISTER ⁽¹⁾		UPS – NOMINAL DATA	UNIT
NUMBER	ADDRESS		
73÷77	72÷76		
78	77	Output nominal voltage (star)	V
79	78	Output nominal frequency	0.1*Hz
80	79	Output nominal power	100*VA
81÷83	80÷82		
84	83	Battery nominal capacity (battery expansion included)	Ah
85	84	Battery benches	(1 or 2)
86	85	Battery type	Integer
87÷112	86÷111		

REGISTER ⁽¹⁾		UPS - COMMANDS	UNIT
NUMBER	ADDRESS		
113	112	Command code ⁽²⁾	Integer
114	113	Shutdown delay time	Seconds
115	114	Restore delay time	Minutes
116	115		
117	116	Command result ⁽³⁾	Integer
118	117		

REGISTER ⁽¹⁾		DIAGNOSTIC	UNIT
NUMBER	ADDRESS		
119	118	Counter of processed correct messages	Integer
120	119	Counter of processed NOT correct messages	Integer

⁽¹⁾ The register number *n* must be addressed *n-1* in the data packet.

⁽²⁾ Refer to “Command codes” paragraph

⁽³⁾ Command result = Command code if command is handled from the UPS
 Command result = Command code + 100 if command is NOT handled from the UPS
 Command result = 0 if Command code is wrong

REGISTER ⁽¹⁾		SPECIAL FLAGS (SENTR UPS)	UNIT
NUMBER	ADDRESS		
121	120	Byte 1 of "s = xx.." code / Byte 2 of "s = ..xx" code	Flag
122	121	Byte 1 of "c = xx.." code / Byte 2 of "c = ..xx" code	Flag
123	122	Byte 1 of "b = xx.." code / Byte 2 of "b = ..xx" code	Flag
124	123	Byte 1 of "r = xx..-." code / Byte 2 of "r = ..xx-." code	Flag
125	124	Byte 3 of "r =-xx" code / Byte 1 of "i = xx..-." code	Flag
126	125	Byte 2 of "i = ..xx-." code / Byte 3 of "i =-xx" code	Flag
127	126	Byte 1 of "a = xx..-...." code / Byte 2 of "a = ..xx-...." code	Flag
128	127	Byte 3 of "a =-xx.." code / Byte 4 of "a =-..xx" code	Flag

REGISTER ⁽¹⁾		NETMAN DATA	UNIT
NUMBER	ADDRESS		
129	128	Firmware version	Integer
130÷131	129÷130		

⁽¹⁾ The register number *n* must be addressed *n-1* in the data packet.

⁽²⁾ In order to decode these registers, please refer to the UPS manual.

UPS: COMMANDS CODES

CODE	COMMAND
1 (0x0001)	Command Shutdown
2 (0x0002)	Command Shutdown and Restore
3 (0x0003)	Delete Command (code 1, 2, 12)
12 (0x000C)	UPS on Bypass
20 (0x0014)	Test Battery
22 (0x0016)	Test Panel

TECHNICAL DATA

NETWORK CABLE

To connect the device to the Ethernet (10Base-T) or Fast Ethernet (100Base-T) network, a UTP (Unshielded Twisted Pair) or STP (Shielded Twisted Pair) cable with RJ45 connectors is required. The cable must conform to the standard IEEE 802.3u 100Base-T with 2 pairs of UTP cables of category 5 or higher. The cable between the adaptor and the hub must not be more than 100m and not less than 2.5m.

NETWORK CABLE CONNECTIONS	
Signal	Pin # to Pin #
TX+	1 ← → 1
TX-	2 ← → 2
RX+	3 ← → 3
RX-	6 ← → 6



Pins 1 and 2 must be connected to one twisted pair, pins 3 and 6 to another.

OPERATING AND STORAGE CONDITIONS

Operating temperature range	[°C]	0 ÷ +40
Storage temperature range	[°C]	-5 ÷ +50
Maximum operating relative humidity	[%]	80
Maximum storage relative humidity	[%]	90

